

HO WASHERS & nonut® TDBL FASTENERS

FASTENING OF CHECKER PLATES IN STEEL PLATFORMS WITH HO WASHERS

PROBLEM:

Conventional fastening systems require accessibility from above and below, e.g. with the help of an elevated work platform.

This may lead to

- high personnel / time expenditure and thus high costs
- possible dangerous situations due to poor accessibility.

SOLUTION:

Our specially designed direct screwing system comprising nonut® TDBL fasteners¹ and HO washers² for bulb plate from 5/7 mm



YOUR ADVANTAGES:

Simple and robust

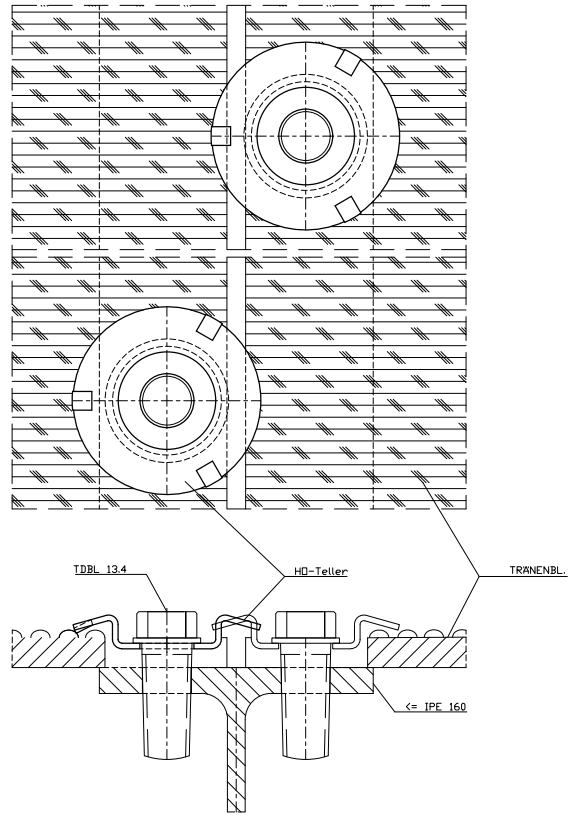
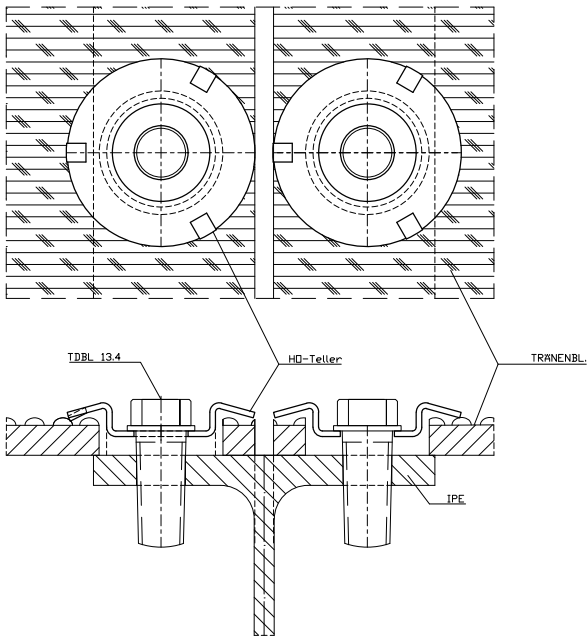
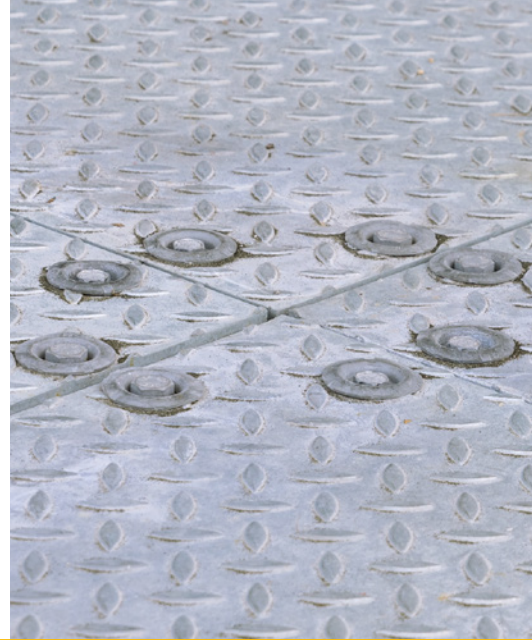
- holes are already cost-effectively drilled during manufacturing
- TDBL drilling in the beam: 10 or 13 mm
- recess in bulb plate for HO washer: $31 \leq d_r < 33$ mm
- no complex tapped holes or countersunk holes required
- cost-effective installation from above
- also suitable for fastening grates

Safe and efficient

- no dangerous assembly positions and procedures
- no risk of tripping
- special shape of the HO washer enables later disassembly
- tested for absorption of tensile and shear forces
- reduced number of fastening points needed
- secure against loosening under dynamic loads

¹ Thread forming fastening system by SFS Group AG with German national technical approval.

² Zinc plated, moulded part specially designed by Hoffmeier Industrieanlagen GmbH + Co. KG; protected as German Utility Model.



CONSULTATION AND SALES BY SFS intec GmbH · Oberursel



MATTHIAS STÖLZEL

Phone +49 176 11700-261

Mail matthias.stoelzel@sfs.com



Your contact person at Hoffmeier Industrieanlagen GmbH + Co. KG: Patrick Reddehase · Phone +49 2388 33-297 · Mail patrick.reddehase@hoffmeier.de

HEAD OFFICE HAMM
Kranstraße 45
D-59071 Hamm-Uentrop
Phone +49 2388 33-0
Fax +49 2388 33-499

BRANCH OFFICE BEDBURG
Adolf-Silberberg-Str. 44
D-50181 Bedburg
Phone +49 2272 906 740-0
Fax +49 2272 906 740-20

BRANCH OFFICE SAB KAMBACHSMÜHLE
Kambachsmühle 1
D-36460 Krayenberggemeinde
Phone +49 36963 49-0
Fax +49 36963 49-112

BRANCH OFFICE LEIMEN
Unterm Sand 26
D-69181 Leimen-St. Ilgen
Phone +49 6224 55900-20
Fax +49 6224 55900-21

BRANCH OFFICE RÜDERSDORF
Frankfurter Chaussee (B1)
D-15562 Rüdersdorf/Berlin
Phone +49 33638 761-0
Fax +49 33638 761-17

RÖHRS INDUSTRIEANLAGEN GMBH
BRANCH OFFICE SOLTAU
Celler Str. 101-103 · D-29614 Soltau
Phone +49 5191 9841-0
Fax +49 5191 9841-41